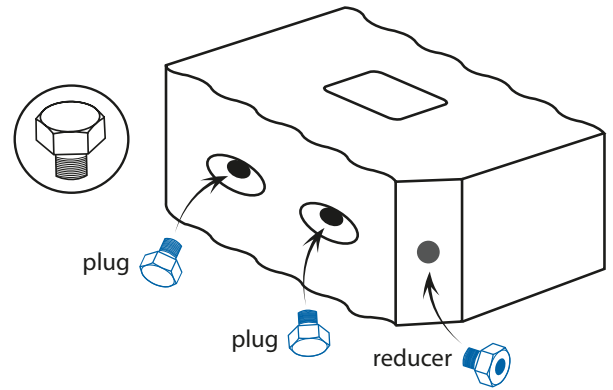


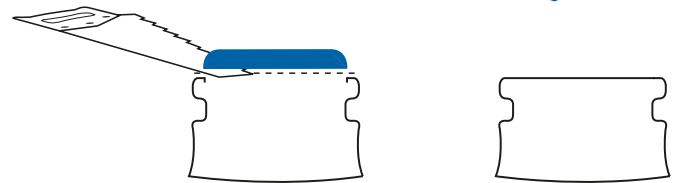
Step 1 - the base layer

Prepare the bottom layer modules

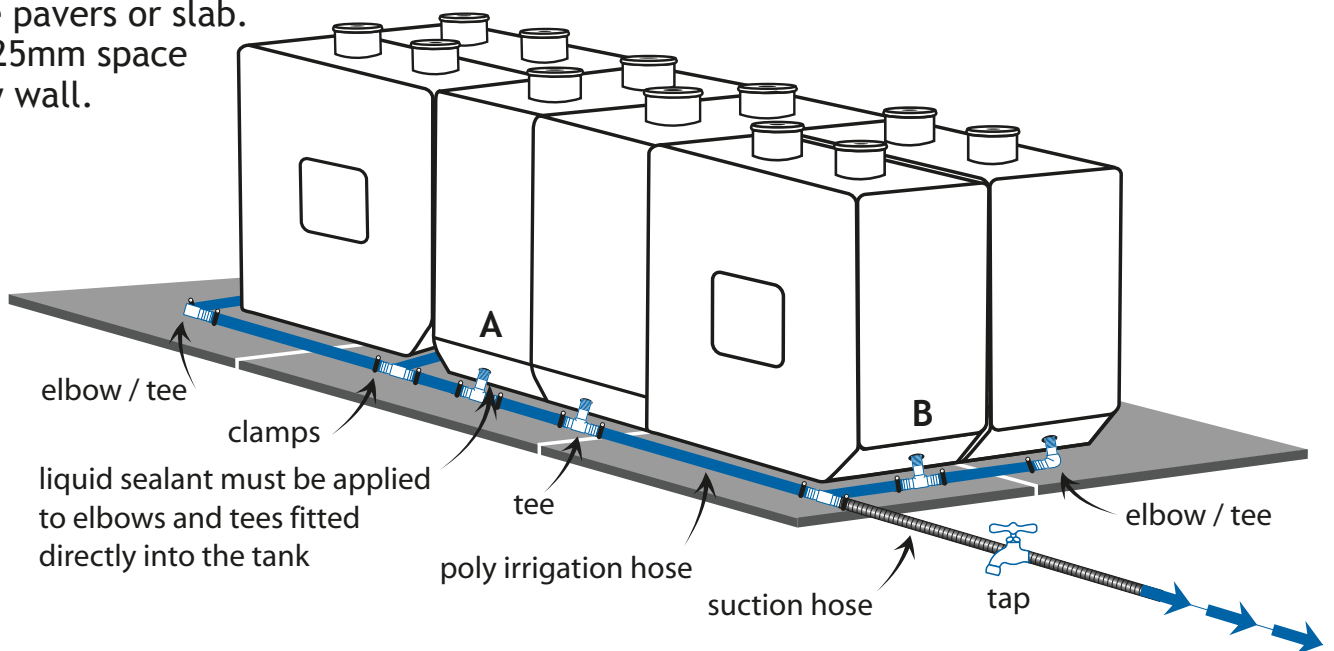
With the provided plugs, reducer and sealing tape, fit as shown.



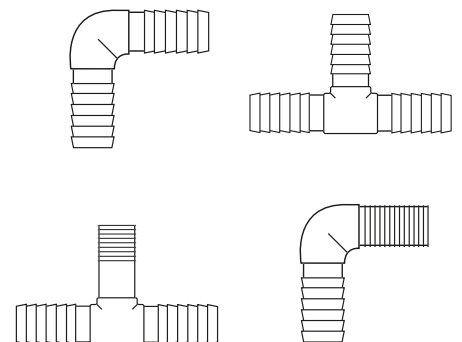
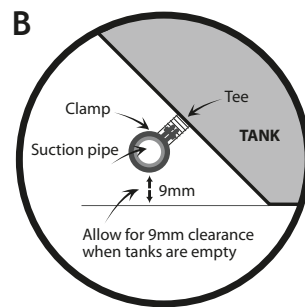
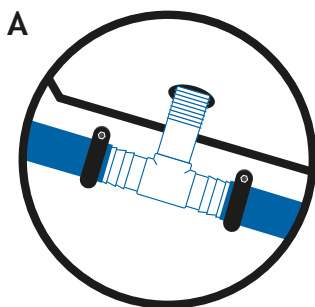
Using a hacksaw or similar fine saw, remove the top of one only transfer spigot.



Arrange the first layer of Modtanks on a firm level base such as concrete pavers or slab. Allow a 25mm space from any wall.



Using 15mm/19mm threaded/barbed elbow and tees and barbed 19mm elbows and tees, join all the outlets as shown. When using 1"/25mm tees and elbows HR Products, HR-T10 G10M and HR-E10G10M catalogue gives the most clearance.



Liquid thread sealant must be applied to elbows and tees that are fitted directly into the tank.

When using 1"/25mm tees and elbows there must be a 9mm clearance between the tee and the ground.